

Round or Square IC, Non IC and Chicago Plenum Dual Adjustable Shallow Housings with LED Lamp

E3_-L_DA 1.5

VISUAL COMFORT & Co.

ARCHITECTURAL COLLECTION

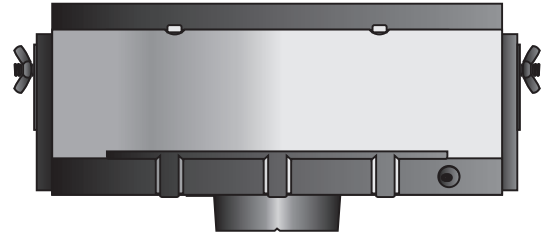
GENERAL PRODUCT INFORMATION:



This product is suitable for indoor locations.

This product can be dimmed with a standard electronic dimmer.

This instruction shows a typical installation.



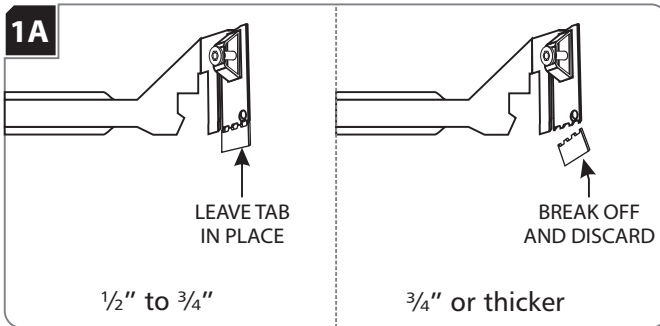
SAVE THESE INSTRUCTIONS!

CAUTION - RISK OF FIRE

This product must be installed in accordance with the applicable installation code by a person familiar with the construction and operation of the product and the hazards involved.

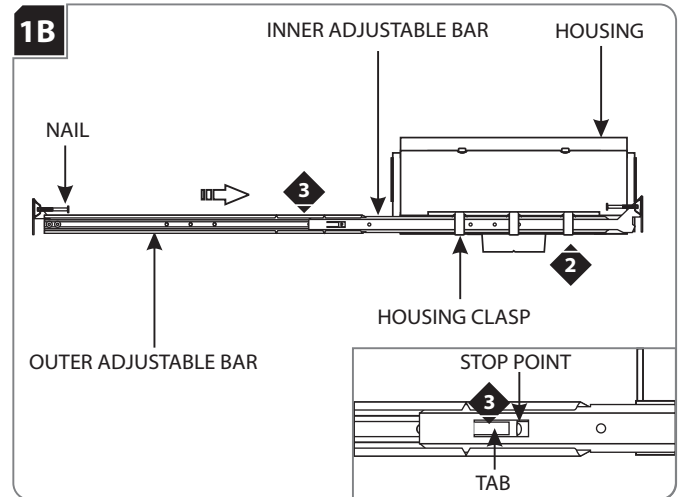
Use minimum 90°C supply conductors.

Install the Housing with Adjustable Bars

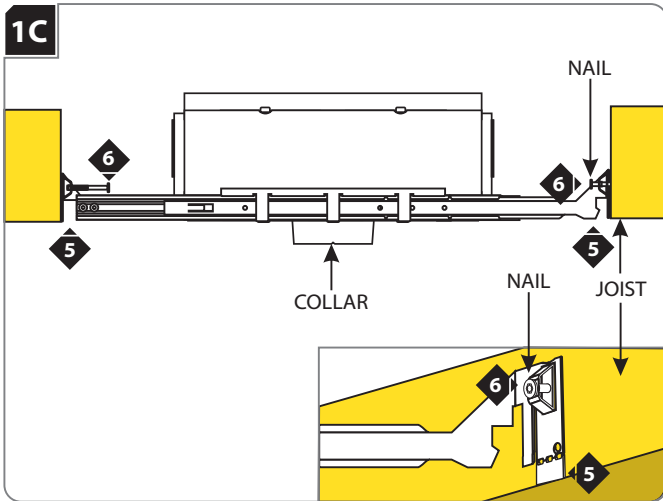


NOTE: Skip this section if installing the housing with butterfly brackets.

- 1 **Keep Tab for ceiling 1/2" to 3/4" thick.**
When using adjustable hanger bars with 1/2" to 3/4" thick ceilings, leave the tab of the hanger bars in place.
Break off Tab for ceiling 3/4" or thicker.
When using adjustable hanger bars with 3/4" or thicker ceilings, remove the tab by bending it at the perforation.

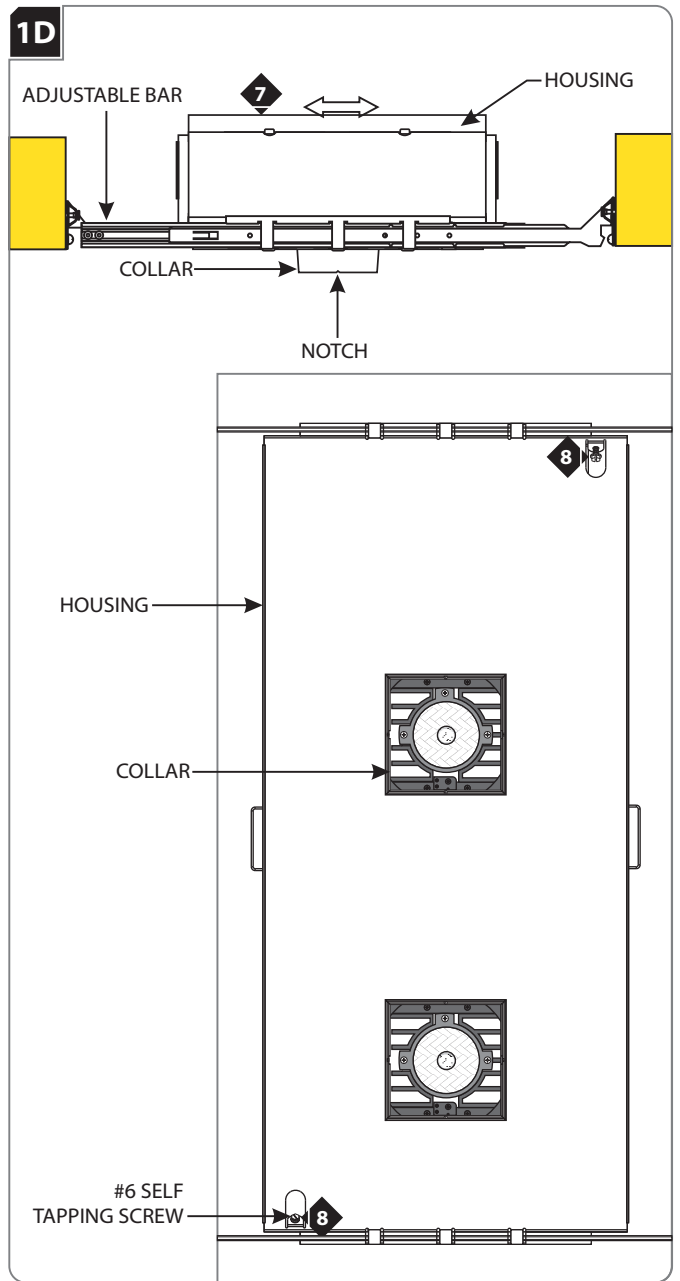


- 2 Slide the inner adjustable bar completely through the three housing clasps. Make sure the nail is on top.
- 3 Slide and push the outer adjustable bar completely onto the inner adjustable bar so that the tab clicks into place behind the stop point. This will prevent the adjustable bars from coming apart.
- 4 Repeat steps 2 & 3 for the other side of the housing.



NOTE: The adjustable bars can be mounted to joists that are spaced 16" - 24" apart.

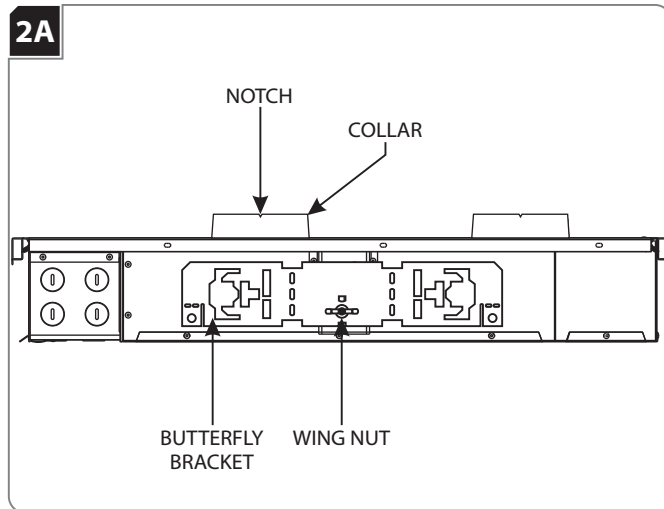
- 5 Align the bottom of the end plates with the bottom of the ceiling joists.
- 6 Level the adjustable bars and, with a hammer, tap the nails completely into the joists to secure the adjustable bars in place.



- 7 Carefully cut and remove the zip ties from the housing.
- 8 Adjust the collar position (horizontal position) by sliding the housing on adjustable bars.
- 9 When the desired location is achieved, tighten the two #6 self tapping screws to lock the housing onto the adjustable bars.

NOTE: Notches in the collar can be used to align multiple housings using a laser or string.

Install the Housing with Butterfly Brackets

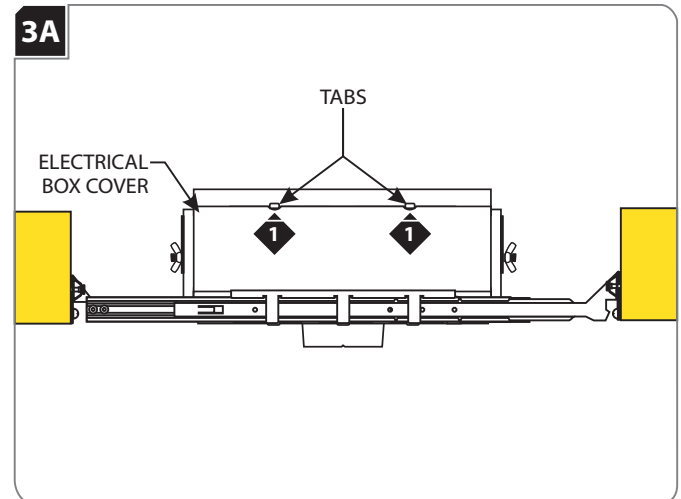


NOTE: Skip to page 3 if installing the housing with adjustable bars.

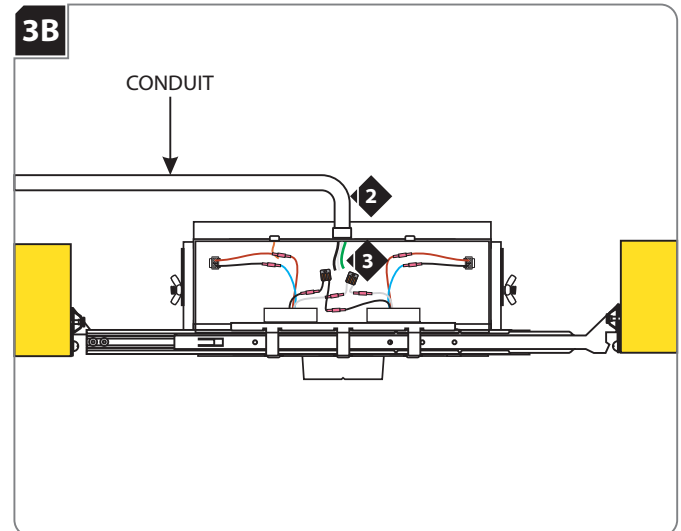
- 1 Slightly loosen the wing nut to slide the butterfly bracket up or down.
- 2 After achieving the proper location, tighten the wing nut to secure the butterfly bracket in place.
- 3 Repeat steps 1 and 2 on for the other butterfly bracket.
- 4 Utilize the butterfly brackets to install the housing in accordance with local electrical codes.

TIP: Notches in collar can be used to align multiple housings using a laser or string.

Connect Power to the Housing

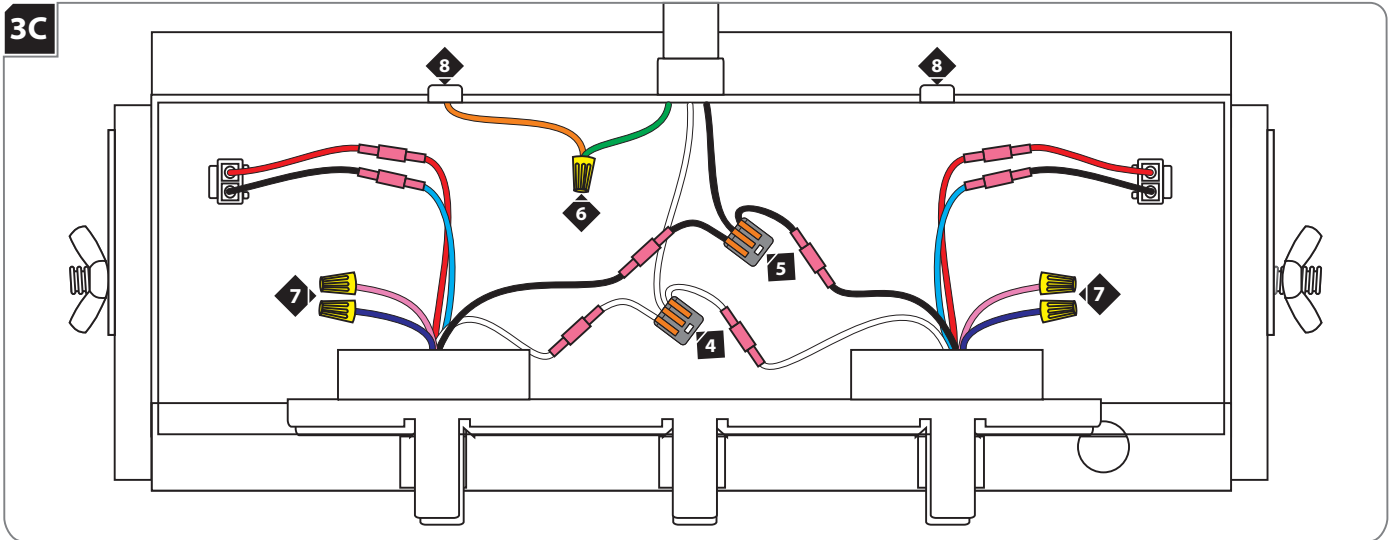


- 1 Push up on the tabs on the electrical box and remove the electrical box cover.



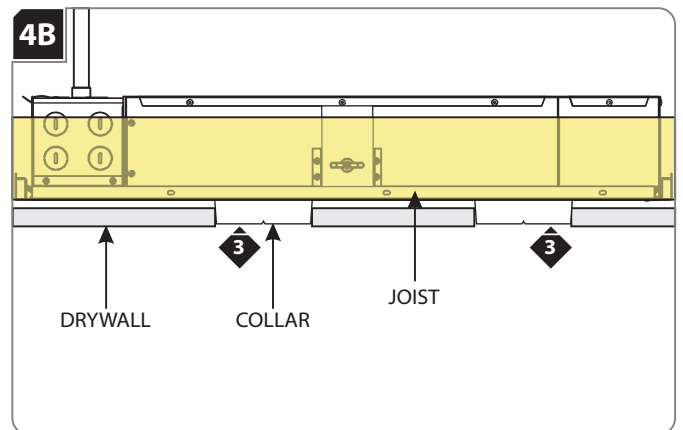
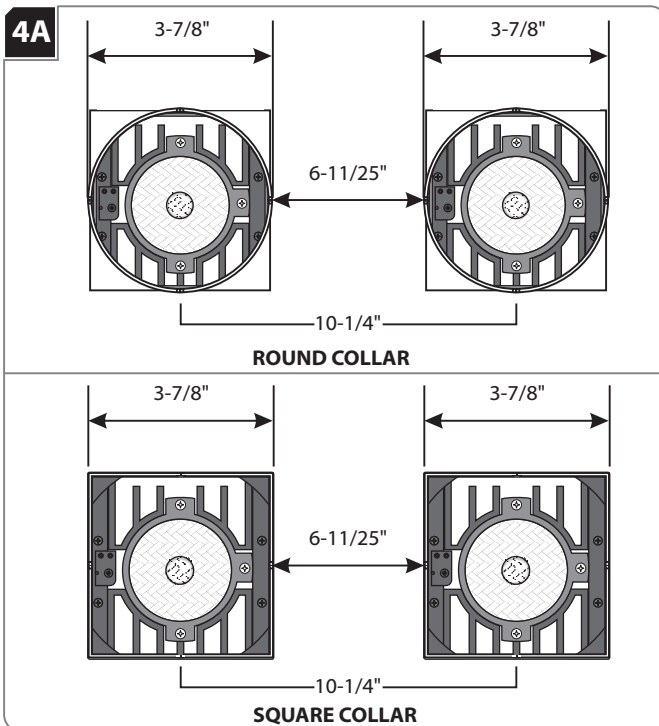
- 2 Install the conduit to the housing electrical box.
- 3 Run the power line wires into the housing electrical box.

NOTE: When a fixture is installed in a location that requires servicing from below the ceiling through the fixture aperture, the branch circuit connections need to be able to be brought out through the aperture. To accomplish this, an NM type cable in conjunction with snap-in/push-in connectors must be used and a 12" service loop must be left available outside of the fixture housing wiring compartment to allow additional branch circuit wiring to be pulled through the snap-in/push-in connector and extended out through the aperture below ceiling level.



- 4 Connect the neutral power line wire to the two white transformer wires by inserting it into an available port on the connector.
- 5 Connect the hot power line wire to the two black transformer wires by inserting it into an available port on the connector.
- 6 Make sure that housing is grounded in accordance with local electrical codes.
- 7 Use the grey/pink and purple wires for 0-10V dimming. Keep wires capped if not in use.
- 8 Replace the electrical box cover. Make sure that the top edge of the cover snaps under both tabs.

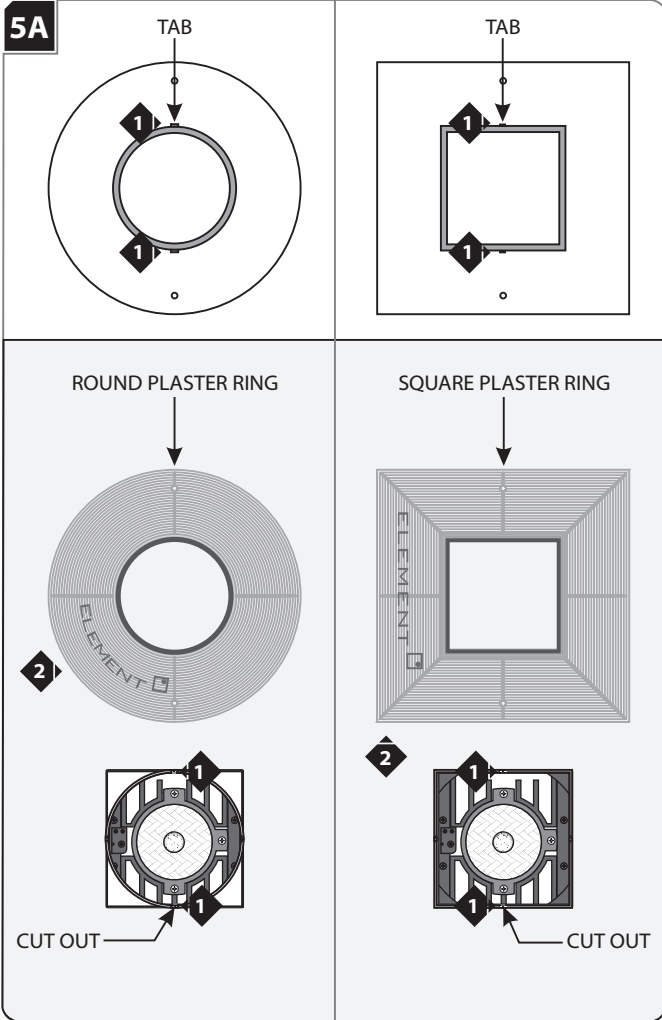
Install Drywall



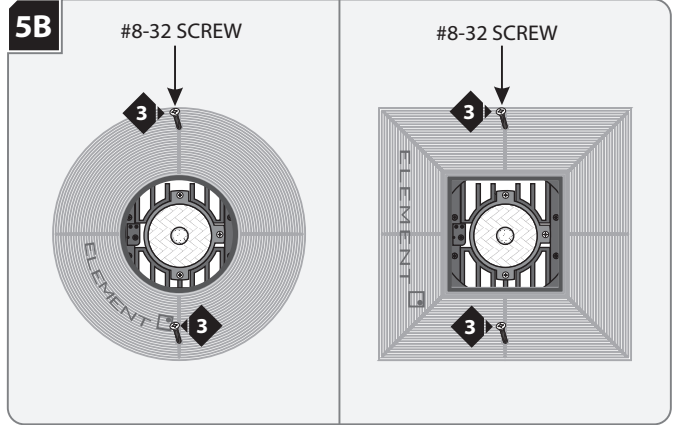
- 3 Align the cut out section of drywall with the collars and install the drywall.

- 1 For round trims, mark two 3-7/8" diameter circles on the drywall spaced 10-1/4" apart on center. Cut out the marked sections.
- 2 For square trims, mark two 3-7/8" squares on the drywall spaced 10-1/4" apart on center. Cut out the marked sections.

Install Plaster Ring (For Flangeless Versions Only)

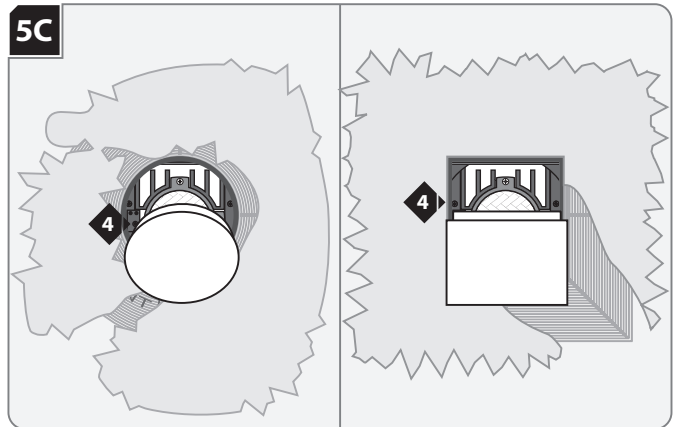


- 1 Line up the two tabs in back of the plaster rings with the two cut out sections of the collar's inside edge.
- 2 Push the plaster ring tabs into the cut out sections of the collar's edge.

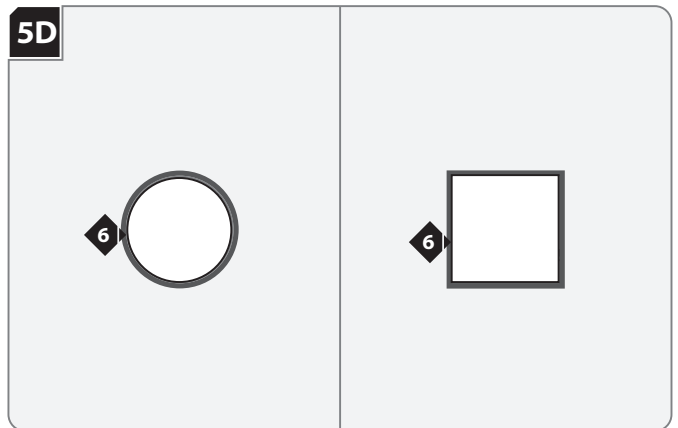


- 3 Secure both plaster rings in place with the two provided flat head #8-32 screws. Make sure that the screws penetrate through the drywall into the housing screw

NOTE: Do not overtighten the screws! Overtightening may bend the plaster ring, causing the plaster surface to come away from the drywall.



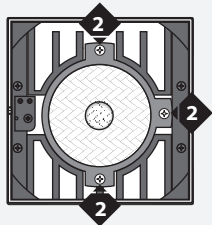
- 4 Plug both collars with the provided dust shield.
- 5 Properly plaster onto the plaster rings and drywall.



- 6 Finish around the trims to match drywall.

Lamp Replacement

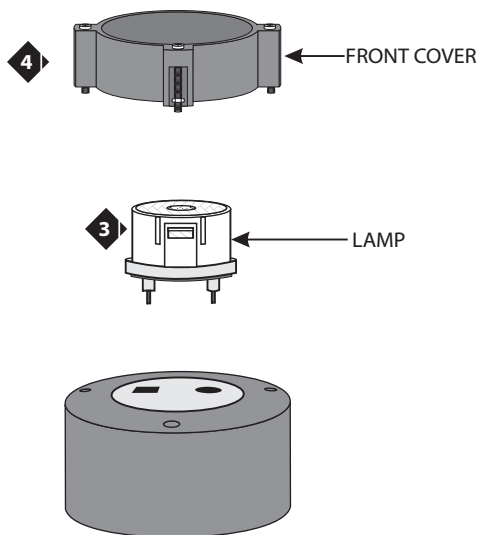
6A



CAUTION: To reduce the risk of a burn or electric shock during relamping, disconnect the power to the fixture.

- 1 Remove the trim from the fixture.
- 2 Loosen all three screws from the front cover and pull the LED lamp out.

6B

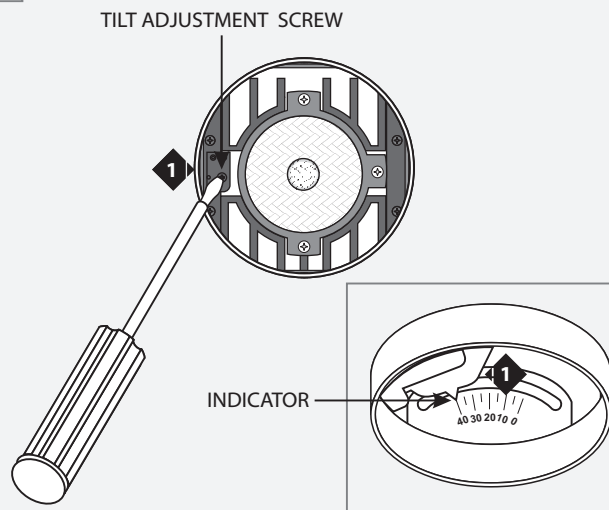


Use **ONLY 18 WATT** proprietary Element Lighting LED lamp.

- 3 Line up the square and round pegs in the new lamp with the holes in the heatsink and push the new lamp into place.
- 4 Replace the front cover.
- 5 Reinstall the trim.

Adjust the Lamp Housings

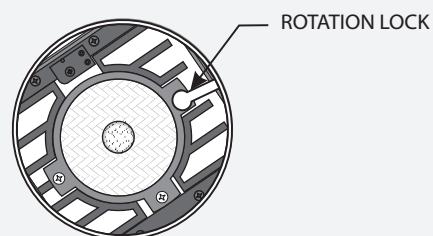
7A



NOTE: Lamp housing can tilt 40° vertically. Lines on lamp housing are 5° apart.

- 1 To tilt the lamp housing vertically, rotate the tilt adjustment screw until the desired angle is reached.

7B



NOTE: Lamp housing can rotate 361° horizontally.

- 2 Pull the rotation lock down to unlock the lamp housing.
- 3 Rotate the lamp housing horizontally. When the desired position is achieved push the rotation lock up to lock the lamp housing in place.

